
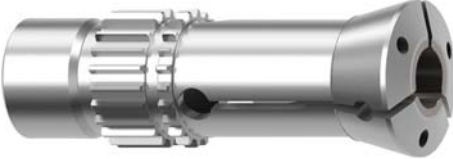
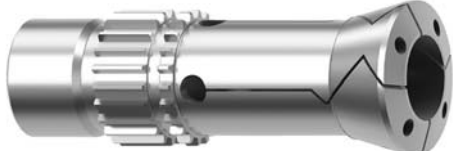


Collets for Tornos Multispindle machines

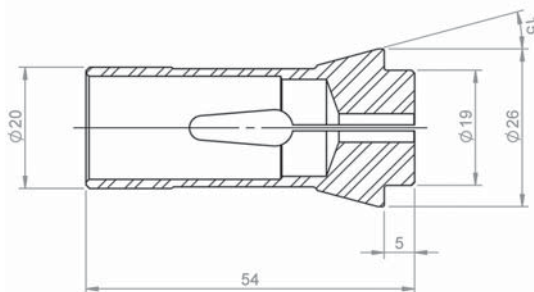
Collets for MultiSwiss

Summary for MultiSwiss

Type N° item	MultiSwiss multiswiss-Ø		Spindle collet
Type N° item	MultiSwiss multiswiss-Ø		Spindle collet with carbide bore
Type N° item	MultiSwiss multiswiss-Ø		Spindle collets with Z slots

Type
N° item

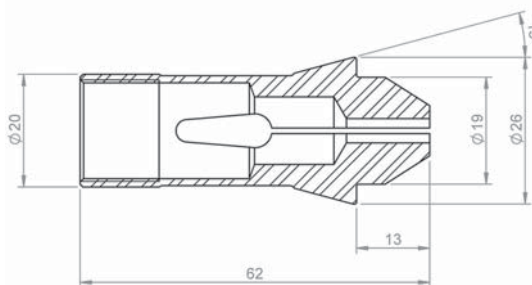
F20/201 short
76-201 nose



Pick-off
spindle collet

Type
N° item

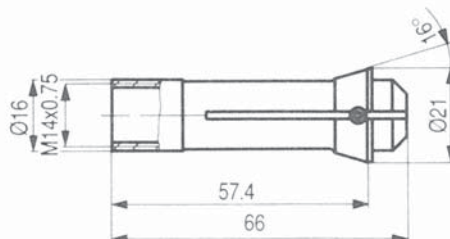
F20/2016 long
76-2016 nose



Pick-off
spindle collet

Type
N° item

F16
76-830



controlled
feeding collet