

Custom made collets

Technical Data for special collets with short nose

Sketch for special collets with short nose

(please fill in/complete)

Company : _____

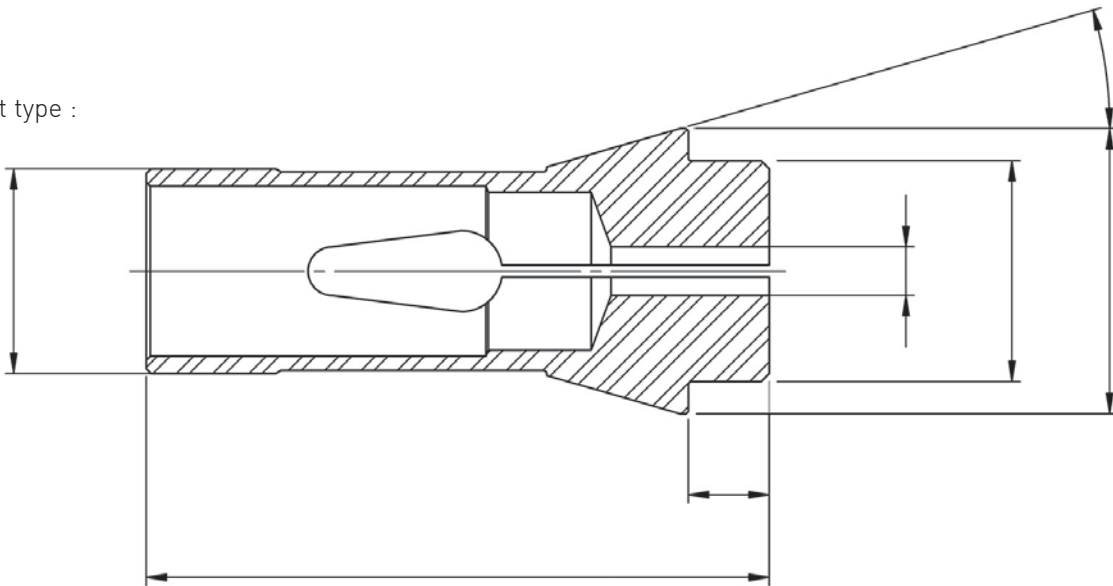
Sketch for :

Enquiry

Purchase order

Qty :

Collet type :



Steel

Carbide bore

with key way on shank

with key way on conus

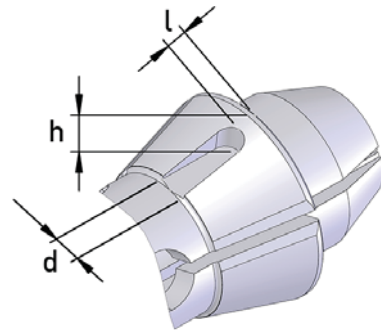
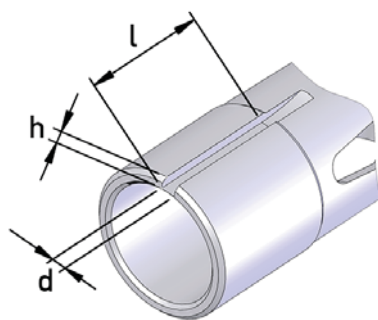
CuBe

Phenol

Croco

-3 mm in the back

with extractor



Notes : _____

